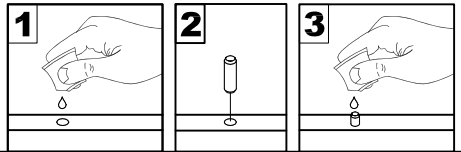
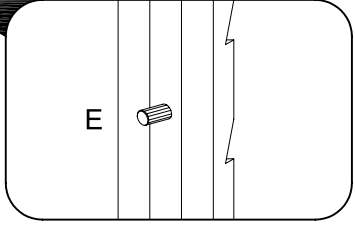
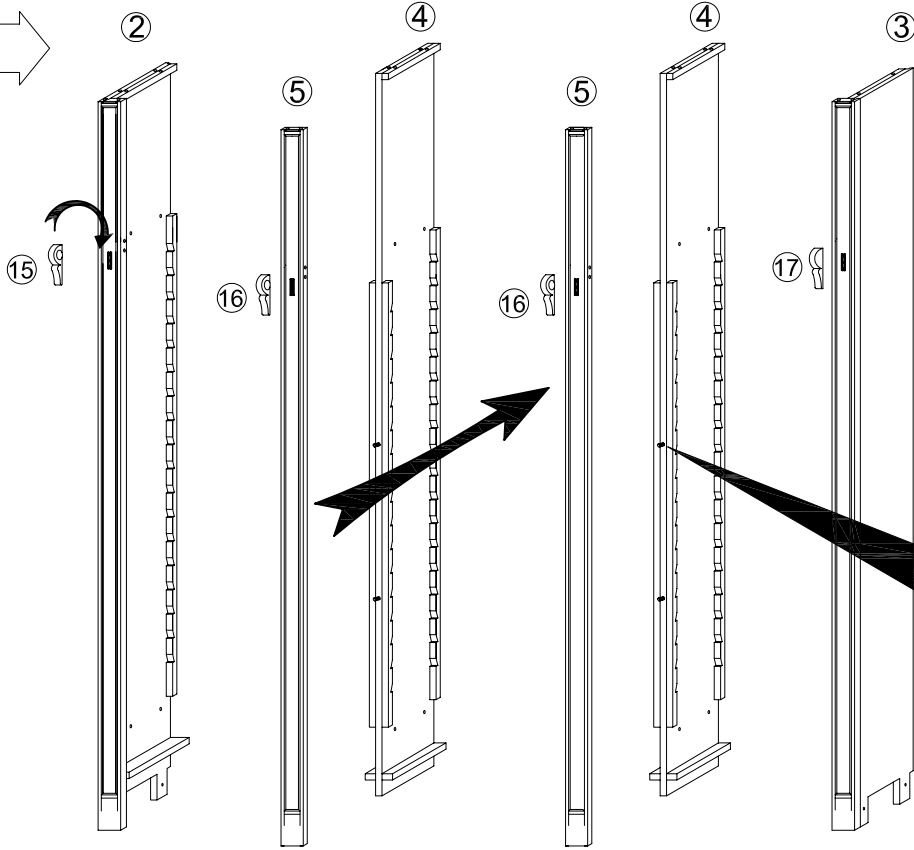


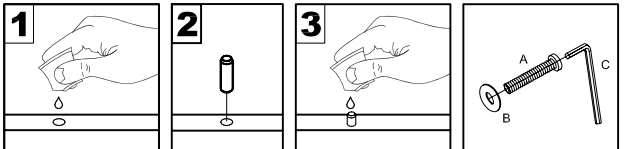
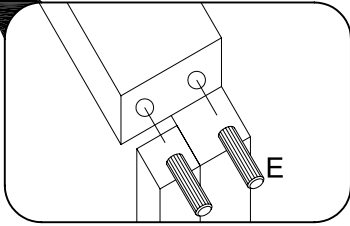
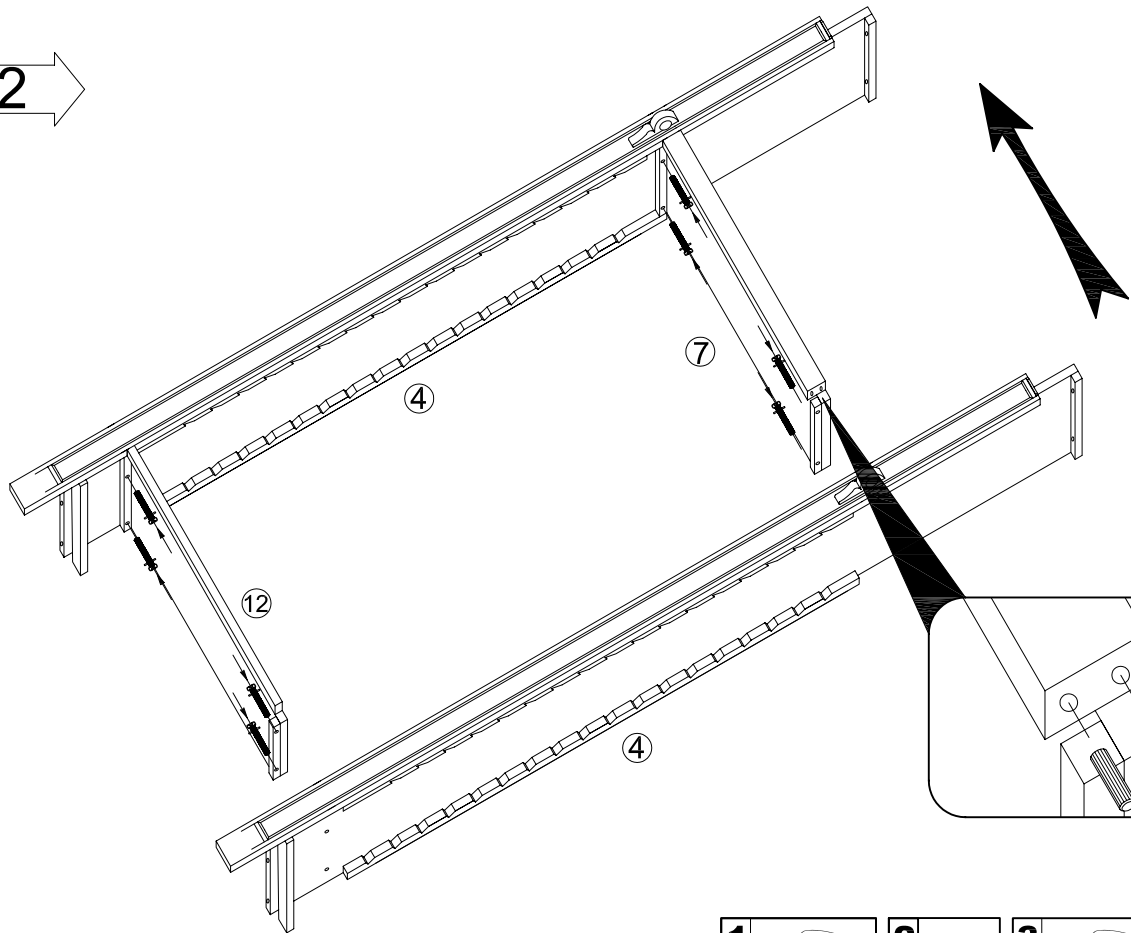
A			Ø6mmX35mm	40	D		Ø3mmX18mm	96
B			Ø6mmX16mmX1.2mm	40	E		Ø10mmX40mm	32
C			M4X57mm	1	F		Ø8mmX30mm	6

1



EX 4

2

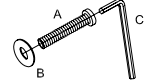


AX 8

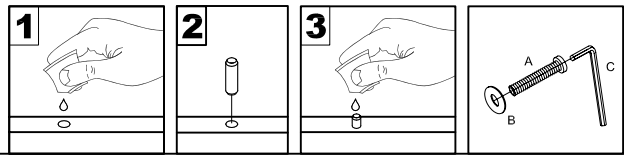
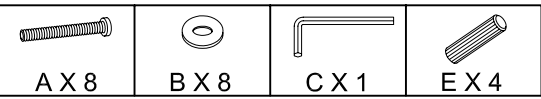
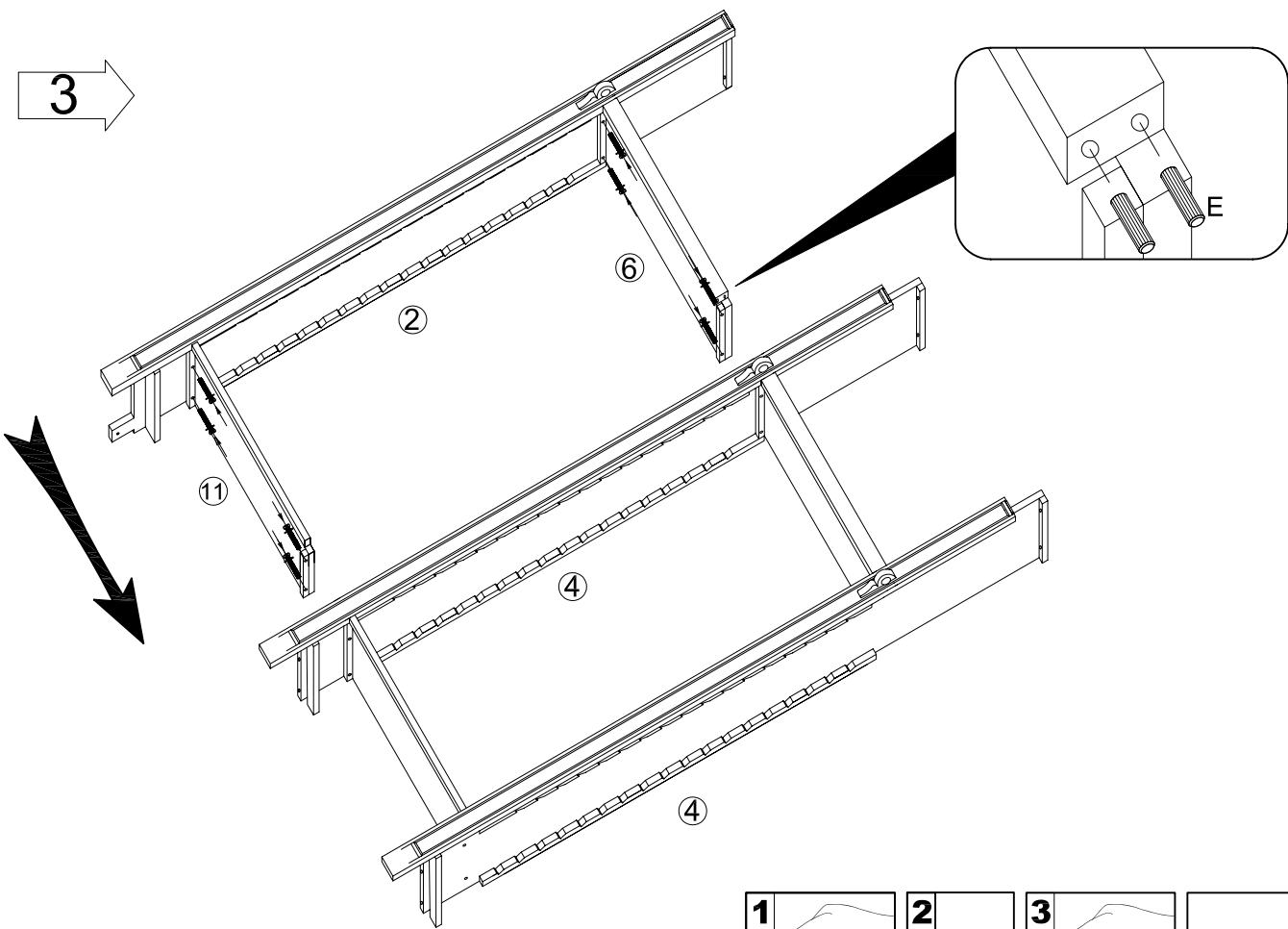
BX 8

CX 1

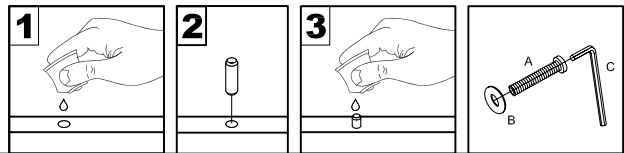
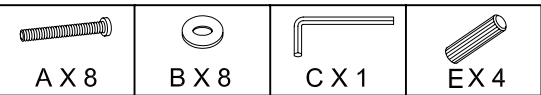
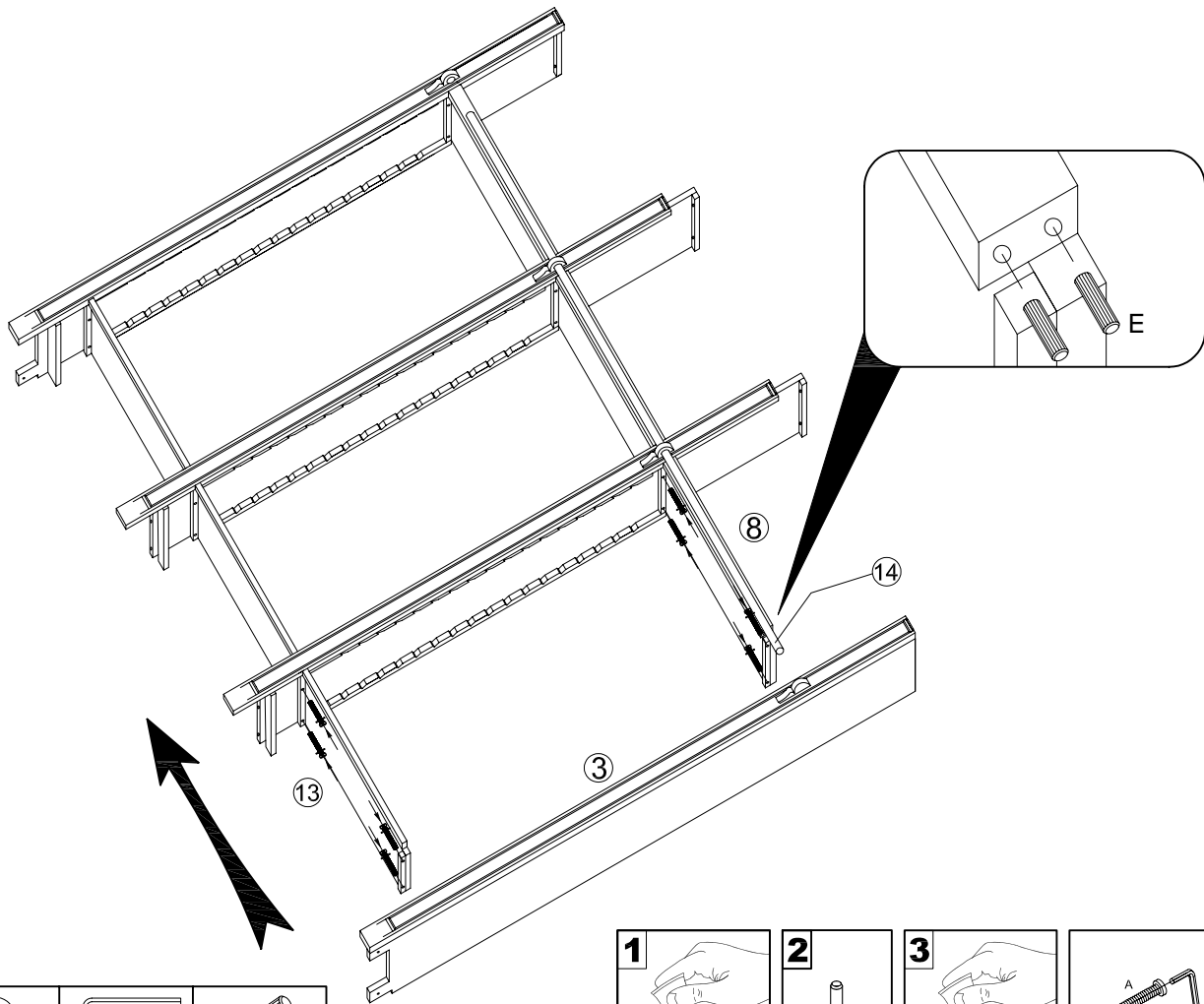
EX 4



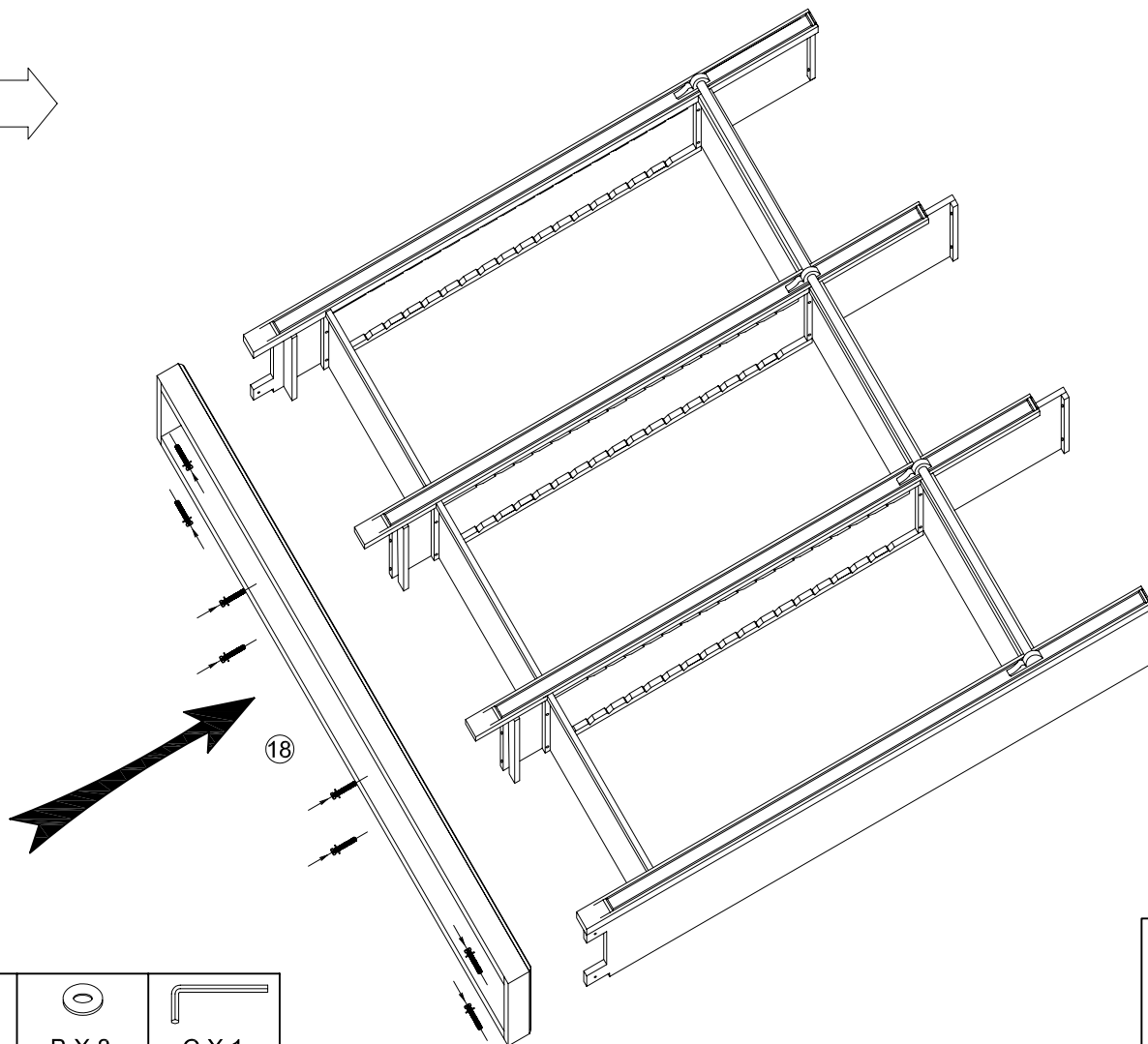
3



4



5



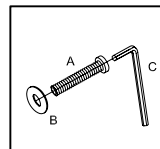
AX8



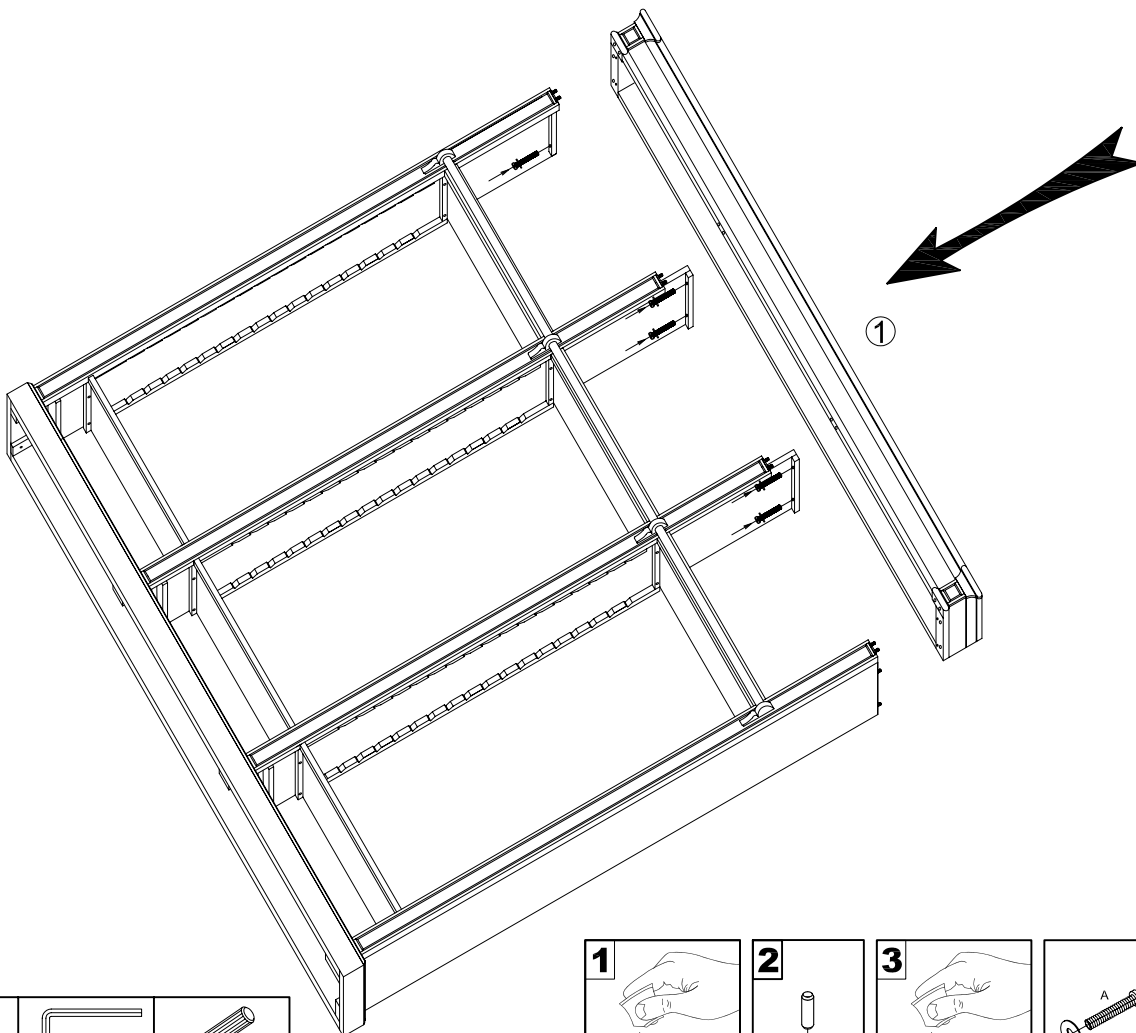
BX8



CX1



6



AX8



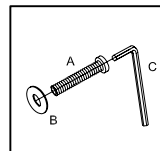
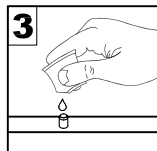
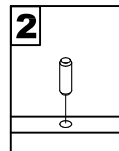
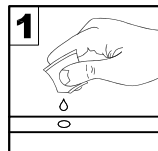
BX8



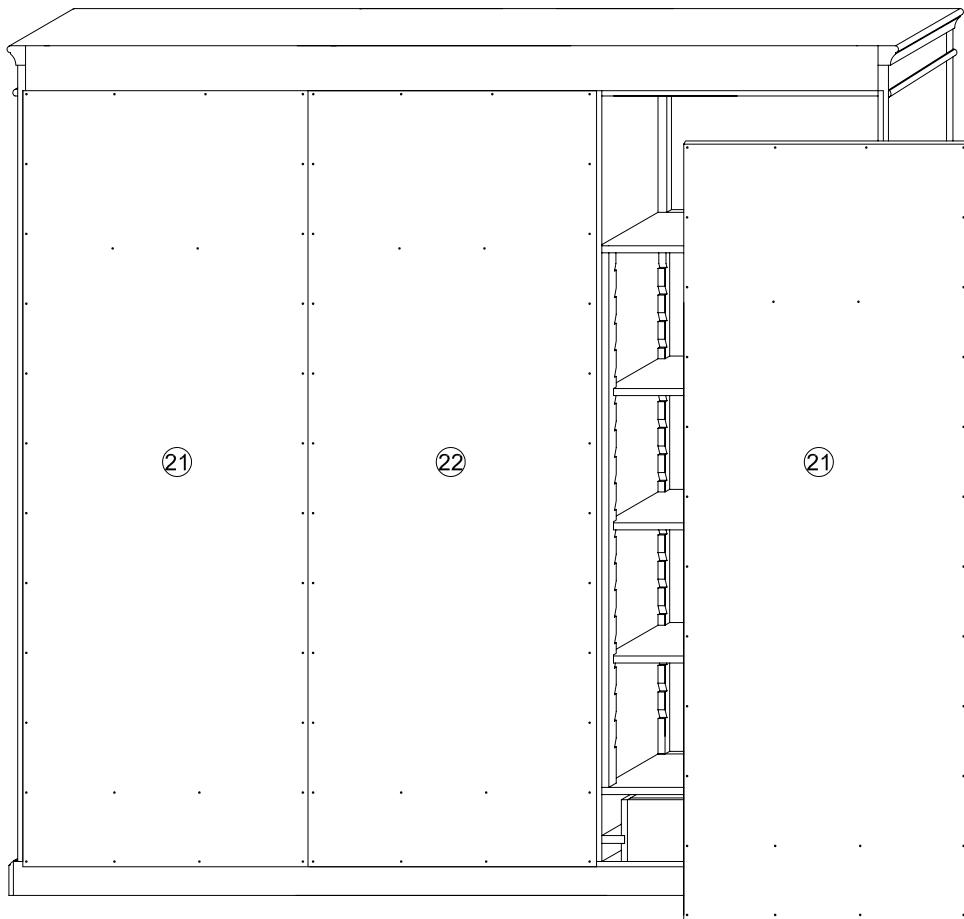
CX1



EX16



7 →

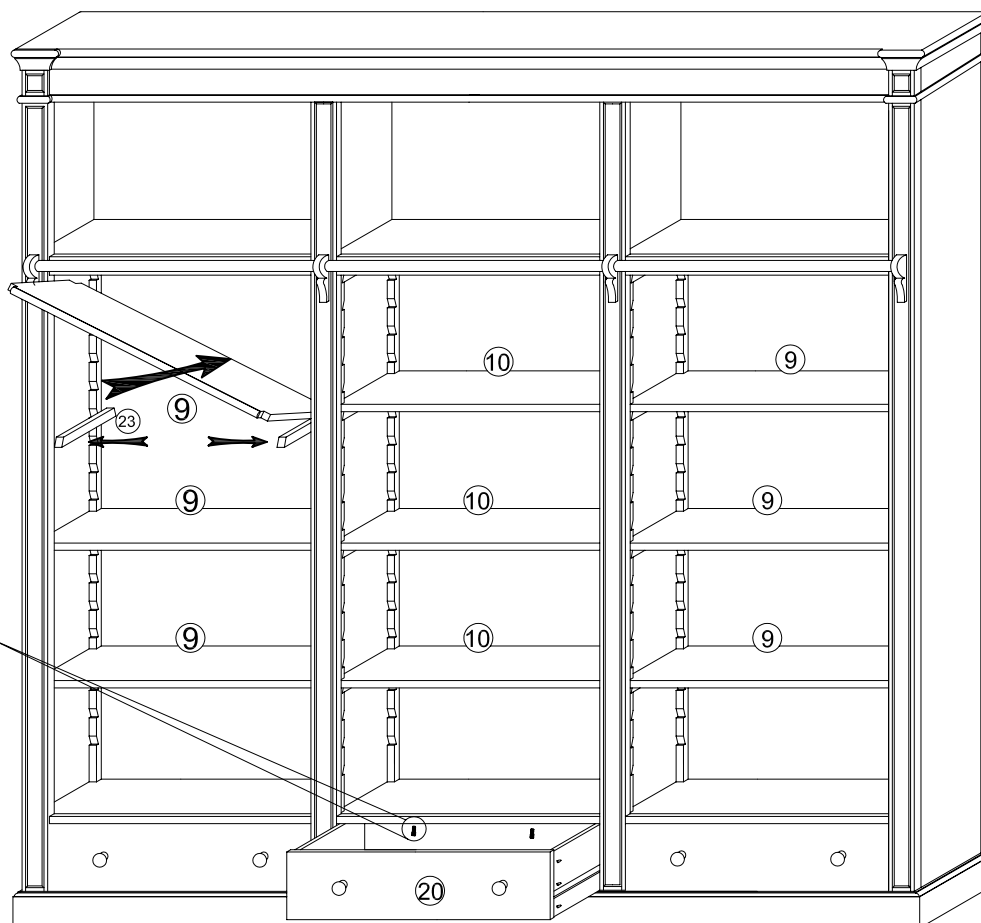


D X 96

D



8 →



F x 6

F

